

Model S410 ProcessProbe® pH and ORP Sensors with Recessed Bulb

Applications

In-Line and Submersion

Description

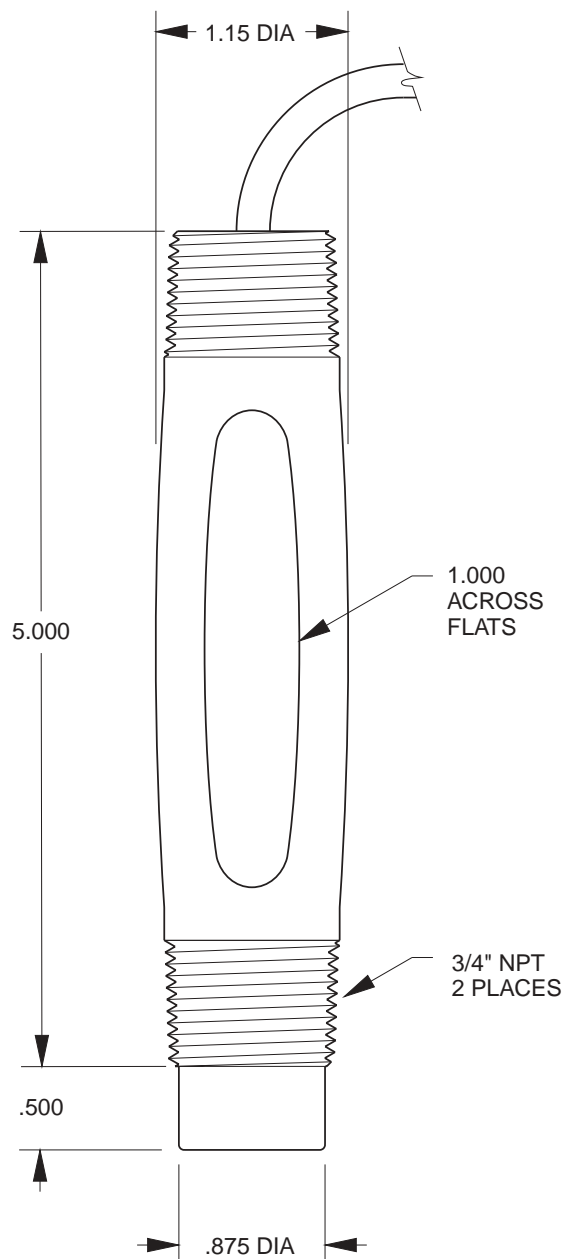
The S410 is a sealed sensor, with a recessed bulb, designed for rugged service in submersion or on-line applications. The body, with an integral 3/4" NPT insertion thread, is molded from chemical-resistant Ryton® (PPS) and the reference junction is porous Teflon®. The Double Junction Reference system reliably prevents process contaminants from fouling the reference and is highly resistant to poisoning. The S410 features built-in solution ground and temperature compensation in addition to custom cable lengths and a choice of connectors.

Options Include

- Built-in temperature compensation
- Built-in solution ground
- Custom cable lengths
- Choice of cable connectors

SPECIFICATIONS

| | |
|-----------------------|--------------------------|
| pH Range | 0–14 pH |
| ORP Range | ± 5000 mV |
| Temp Range | 0–105°C |
| Max Pressure/Temp | 150 psig at 100°C |
| Reference | Ag/AgCl |
| Wetted Materials | Ryton, Teflon, and Glass |
| Standard Cable Length | 10 feet |
| Maximum Flow Rate | 10 ft (3 m) per second |
| Output Impedance | <250 megohms at 25°C |
| Insertion Threads | 3/4" NPT |



Manufacturers of pH & DO Sensors for Science and Industry

19 Thomas, Irvine, California 92618 USA

Phone: 949.829.5555 Toll-Free: 800.288.2833

Fax: 949.829.5560 E-Mail: sales@broadleyjames.com

**BROADLEY
JAMES**
CORPORATION

Model S410 ProcessProbe® pH and ORP Sensors with Recessed Bulb

Part Number Selection Guide

Specify ProcessProbe® Part Number here:

Category Position:

S-4 ¹ ² - ³ ⁴ ⁵ ⁶ ⁷ - ⁸ ⁹ ¹⁰ ¹¹ ¹²

OPTIONS:

1 - 2 Body Style:

[10] Standard Insertion, No Guard, 3/4" NPT.

3 Body Material:

[R] Ryton®

[G] Grounded *(see note below)

4 Liquid Junction:

[T] Coaxial Teflon®

[R] Recessed Coaxial Teflon® (only available on probes without T.C.)

5 - 6 Measurement Electrode:

[33] pH, HT-3 Rugged Dome Bulb

[43] pH, HT-4 High pH Bulb (for pH 13 and above)

[PB] ORP, Platinum Band

[17] pH, General Purpose, Flat Bulb

7 Temperature Compensator:

[0] T.C. not required

[1] 3K Ohms, used on older models of TBI/Bailey and Uniloc transmitters

[9] 301 Ohms for use with older Great Lakes models, such as 60, 70, 90, 570 and 690

[D] Pt 1000 Ohms for Rosemount (Uniloc) Model, 1054, Beckman SoluComp, TBI/Bailey TB82 and TB84, Foxboro Models 870 and 874, Yokogawa and many European models

[H] Pt 1000 Ohms for Yokogawa, Conducta, Polymetron and many European models

8 Cable Type:

[A] 3 mm Low Noise Coax, for pH without built-in TC, or for ORP

[M] 5 mm Low Noise Coax, for pH without built-in TC, or for ORP

[E] Jacketed coax w/ T.C. leads

[N] Jacketed coax w/ T.C. and solution ground leads

9 - 10 Cable Length:

[10] 10 ft - standard length

[XX] Specify length (in feet) if other than standard (see above for price adder per foot)

11 - 12 Sensor Connectors:

[BC] BNC only (for use with ORP electrodes or with sensors w/o TC or solution ground)

[FB] BNC for pH and Ferrules on all other leads (for use with Terminal Block or Terminal Strip)

[FF] All Ferrules connectors (for use with Terminal Block or Terminal Strip)



Manufacturers of pH & DO Sensors for Science and Industry

19 Thomas, Irvine, California 92618 USA

Phone: 949.829.5555 Toll-Free: 800.288.2833

Fax: 949.829.5560 E-Mail: sales@broadleyjames.com