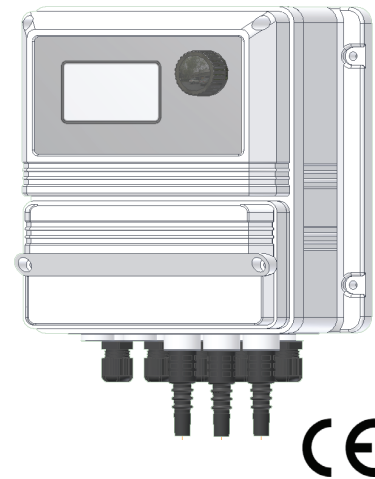


FEATURES

- Instrument operated by a rotation "Encoder"
- Instrument range: 0 - 999 mV
- PT100 Temperature probe
- Stand-by input
- Alarms: level; flow; max dosing system
- Probe check-up
- Programmable delay at dosing startup (max 60 minutes)
- Service menu with probe reading value
- Working modes: on/off, impulsive proportional, proportional PWM and fixed PWM
- Automatic or manual dosing activity



Microprocessor digital regulator for ORP with temperature reading.

In On/Off working mode, a "STK Speed" function let the pumps operate at pulses per minutes for a set time (1 pulse every x minutes) to provide a reaction time.

INPUT:

- Stand-by
- Flow
- ORP Level
- ORP probe
- Temperature probe (included)

OUTPUT:

- 1 relay output (mV)
- 1 opto coupled output (mV)
- Main alarm

ELECTRICAL

INPUT SIGNAL

Cable

POWER SUPPLY

90-265 VAC; 50/60 Hz

AVERAGE CONSUMPTION

25 W

ON/OFF OUTPUT

2 relays; 5A @ 230 VAC
(fuse protected)

ALARM OUTPUT

85÷264VAC

EMEC

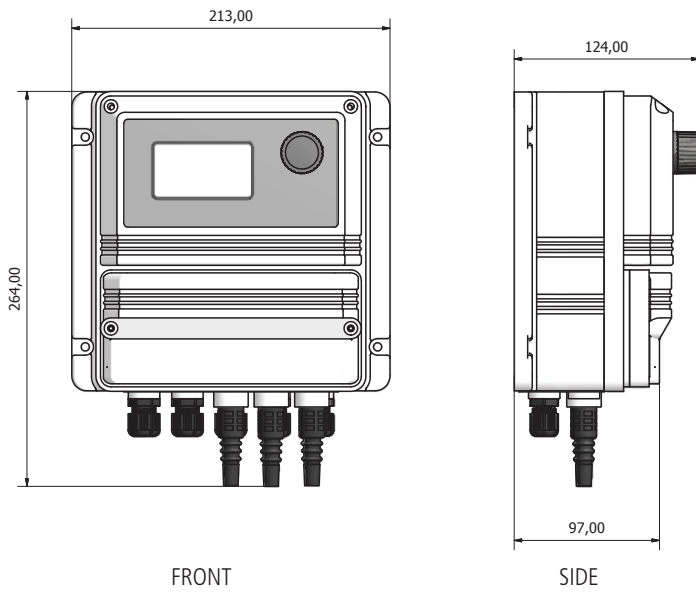
ISO 9001:2008
ISO 14001:2004
OHSAS 18001:2007



Via Donatori di sangue, 1 - 02100 Vazia (RI) - Italy
Tel. +39 0746 2284 1 - Tel. +39 0746 1725114 - Fax +39 0746 2284 2 - <http://www.emec.it>

Specifications subject to change without notice.
ENG R1-03-12

DIMENSIONS



ENCLOSURE

IP65 enclosure (NEMA4x).

LDSRH control instruments are manufactured in ABS housing to ensure protection against aggressive chemicals and tough environment.

ENVIRONMENT

-10°C ÷ 50°C (14°F ÷ 122°F)

0÷95% (non condensing) relative humidity

ORP PROBE

ORP PROBE	
Mod.	Range
ERHS	0-1000 mV
ERHM	0-1000 mV
ERHL	0-1000 mV
ERHHL	0-1000 mV
ERHM/D	0-1000 mV
ERHSN6	0-1000 mV
ERHMD/100	0-1000 mV
ERHSC	0-1000 mV
ERHSCSN6	0-1000 mV