

ELECTRONIC DOSING PUMP

LMI SERIES P5



Main technical Specifications

- Electromagnetic dry diaphragm
- Adjustable stroke frequency
- Adjustable stroke length
- Maximum output: 12 l/h
- Maximum pressure: 17.3 bar

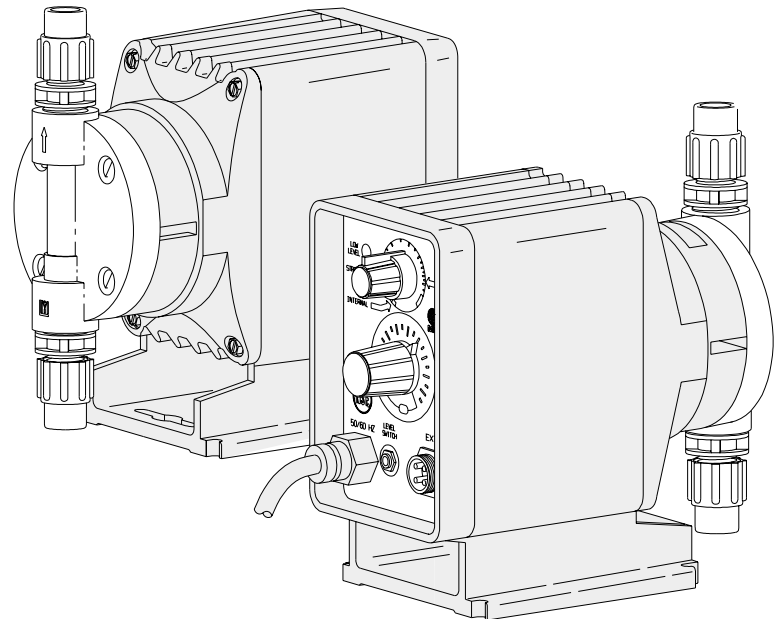
P5 Series Proportional

- All P5 Series dosing pumps offer the versatility of a selection for either automatic external trigger control or manual control (just plug in the external cable).
- In external trigger mode, they may connect with flowmeters with reed contact, or instrumentation with voltage free pulse output.

Wide Variety of Applications

- Pump head and valves in PVC, PVDF, Acrylic, Inox plus designs for high viscosity polymer.
- Ceramic balls and Polyprel® or PTFE seats.
- Composite pump diaphragms of the superior Fluorofilm® assure reliable and leak free operation in a wide variety of chemicals.

Fluorofilm® is a copolymer of tetrafluoroethylene and perfluoroalkoxy. Polyprel® is a copolymer of tetrafluoroethylene and propylene. Both are registered trade names of LMI.



Unique Features

- Uses LMI's unique molded long life Electromagnetic Power Unit (EPU) with electromagnetically balanced construction.
- Clog resistant injection check valves with flexible flapper nozzle are standard.
- LMI's unique 4-Function Valve or multifunction Auto-Bleed Valve are low cost options.

Simple Rugged Construction

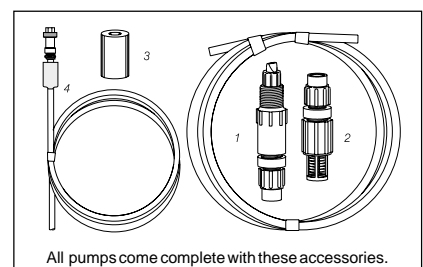
- Ideal for indoor, outdoor and OEM 'in machine' applications where simplicity means increased reliability.
- Thick wall glass fiber or carbon fiber reinforced thermoplastic construction plus integrated metal-plastic structural and magnetic components result in vibration and shock resistance not ordinarily found in competitive products.
- Strong automotive type wire and electrical connectors add to its construction strength.

Totally Enclosed Corrosion Resistant IP65

- O-Ring sealed corrosion resistant enclosure of glass fiber reinforced polypropylene protects the pump from harsh chemicals and tough environments.

Complete with Accessories

- LMI P5 dosing pumps come complete with:
 1. injection check valve,
 2. foot valve,
 3. ceramic weight,
 4. external control cable.
- Most models are also available with factory tubing.



Specifications

Model	OUTPUT (l/h) max.	PRESSURE (bar) max.	LIQUIFRAM size	STROKE CAPACITY (ml)		FREQUENCY (st./min.)		LIQUID END MATERIAL						TUBING CONNECTION	
				min.	max.	min.	max.	PVC	PVDF/Polyprel	PVDF/PTFE	Acrylic	316SS. ⁽¹⁾	High Visc. ⁽²⁾	Inch	Metric
P57*	1.6	9.7	0.5	0.08	0.27	1	100	358XY	352XY	353XY	350XY	257	155HV	.250"OD	3x6 mm
P54*	2.2	17	0.5	0.07	0.37	1	100	358XY	352XY	353XY	350XY	257	155HV	.250"OD	3x6 mm
P55*	3.8	7.6	0.9	0.13	0.63	1	100	398XY	392XY	393XY	390XY	297	85HV	.375"OD	6x8 mm
P56*	7.5	3.5	1.8	0.25	1.25	1	100	368XY	362XY	363XY	360XY	277	75HV	.375"OD	6x8 mm
P58*	12	1.5	1.8	0.40	2.00	1	100	368XY	362XY	363XY	360XY	277	75HV	.375"OD	6x8 mm

* When ordering, specify the voltage code by using one of the following numbers:

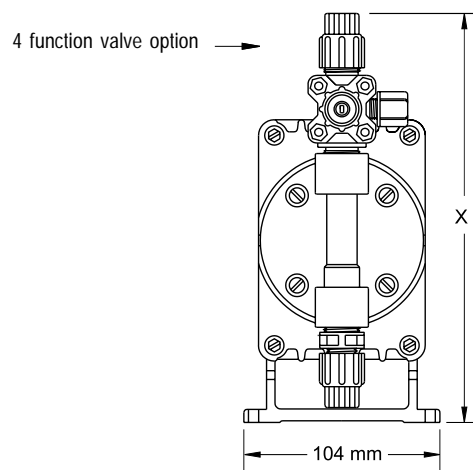
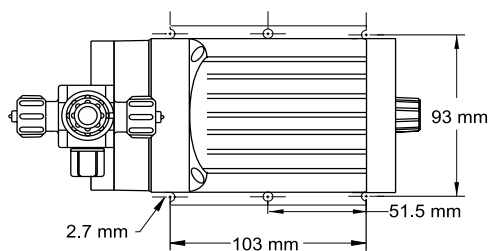
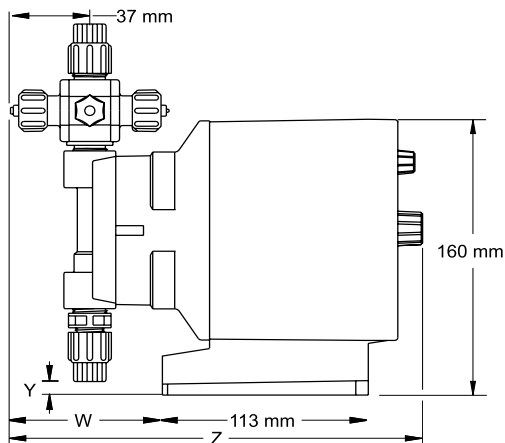
- 1 = 115 V
- 3 = 230 V Din plug
- 5 = 230 V UK plug
- 7 = 230 V CH plug

⁽¹⁾ 1/4" NPTm connection

⁽²⁾ .500" OD / .938" OD or 9 x 12 / 15 x 23

X	Y	Refer to liquid end chart for complete option code
	I	Inch tubing
	M	Metric tubing
	P	1/4" NPTm
B	Bleed 4 function valve included	
N	No function valve	
S	4 function valve included	
T	3 function valve included	

Dimensions



	W	X	Y	Z
Pump without functin valve	51	181	11	198
Pump with function valve	79	213	11	218
Pump with stainless steel head	44	171	20	191
High viscosity pump	59	205	16	206
Packing: 275 x 225 x 165 mm	Gross weight: 3.7 kg			



FRANCE - DOSAPRO MILTON ROY S.A.
10, Grande Rue - 27360 Pont Saint Pierre
Tél. : +33 (0)2 32 68 30 00 - Fax : +33 (0)2 32 68 30 93
www.dosapro.com - e-mail : contact@dosapro.com

ESPAÑA - DOSAPRO MILTON ROY IBERICA
C/Embajadores, 100 - 28012 MADRID
Tél. : +34 91 517 80 00 - Fax : +34 91 517 52 38
www.dosapro.es - e-mail : madrid@dosapro.es

UNITED STATES - LIQUID METRONICS, INC
8 Post Office Square - Acton, Massachusetts 01720
Tél. : 1 (978) 263 9800 - Fax : 1 (978) 264 9172
www.lmpumps.com

INTERNATIONAL SALES DEPARTMENT and PROJECTS DEPARTMENT
Tél. : +33 (0)2 32 68 30 12 - Fax : +33 (0)2 32 68 30 91
10, Grande Rue - 27360 Pont Saint Pierre (France)

SPARE PARTS DEPARTMENT/PIÈCES DE RECHANGE
Tél. +33 (0)2 32 68 30 01 - Fax : +33 (0)2 32 68 30 92
10, Grande Rue - 27360 Pont-Saint-Pierre (France)

INTERNATIONAL TECHNICAL ASSISTANCE/ASSISTANCE TECHNIQUE
Tél. : +33 (0)2 32 68 30 02 - Fax : +33 (0)2 32 68 30 96
10, Grande Rue - 27360 Pont-Saint-Pierre (France)

DOSAPRO MILTON ROY EN FRANCE :
Angers, Bordeaux, Lille, Lyon, Nancy, Paris, Rouen

